

VARIANT 16-1/2" ROUND DROP-IN BASIN

Cat.No.
5-651WH



Faucet not included

Basin diameter: 16-1/2"
H: 4-3/4"
Flange: 2-1/2"

Interior Dimensions:

Basin Interior: 16"W x 12-1/8"D
Basin Depth: 3-1/2"
Center drain to rim: 8-1/4"

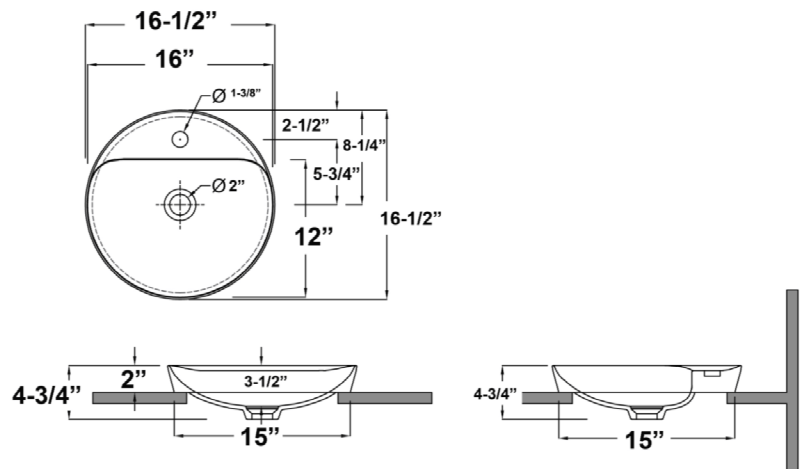
Features:

- ▶ For drop-In installation
- ▶ Made of Vitreous China
- ▶ 1-3/8" faucet hole
- ▶ No overflow
- ▶ Traditional style
- ▶ Drain not provided
- ▶ Can be used with #5601 grid drain or #57100 pop-up drain (Not included)

Colors:

WH White

Compliance Certification
Meets or exceeds the following specifications: ASME A112.19.2 2018 and CSA B45.1-18 for



Dimensions of fixture are nominal and may vary within the range of tolerances established by ASME Standard A112.19.2.2018. Dimensions and specifications subject to change without notice.